

AN40.10-P-1050-01A	Retrofit conversion to Mercedes-Benz 8-hole 7 J x 16 H2 ET46 light-alloy disk wheel with 215/55 R 16 tire	Model 124	
--------------------	---	-----------	--

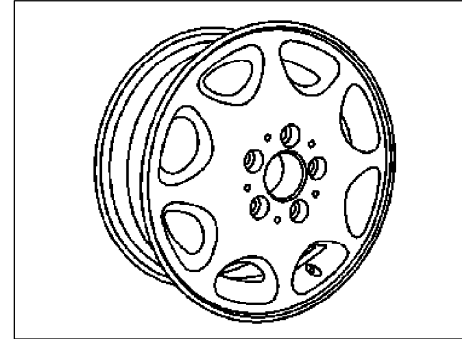
Modification notes

4.10.99	Replaces SI 40/131 from 04.03.94	Please remove SI 40/131 from your folder.	
---------	----------------------------------	---	--

The 16" wheel/tire combination known from model 124.034 (E420) as of Vehicle ID No. -B - 938 869 has been approved for retrofit conversion for model 124 with the following exceptions:

- Vehicles with a special body
- Sedans with a long wheel base
- 4MATIC
- Hardtops up to Vehicle ID No. - B - 065 820
- Model 124.036 (E500)

In order to be able to use this wheel/tire combination, the steps described in sections A and B must be performed completely.

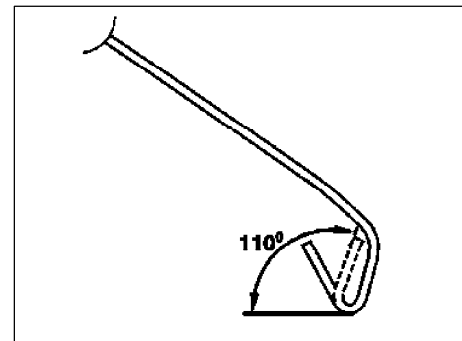


P40.10-0240-01

A. Modification to the body

The fender inner edges of the front fenders must be set to an angle of 110°

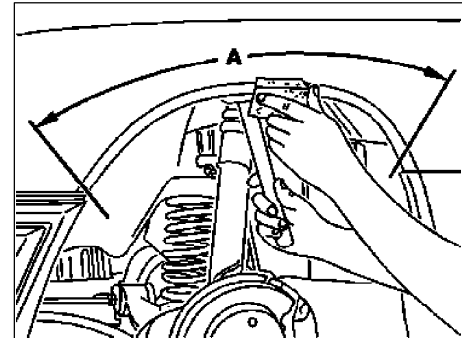
- on vehicles up to 08/89 in the entire wheel cutout (without figure)



P40.10-0239-01

- on vehicles as of 09/89 in the labeled area (A).

- on vehicles up to 08/89 in the entire wheel cutout (without figure)



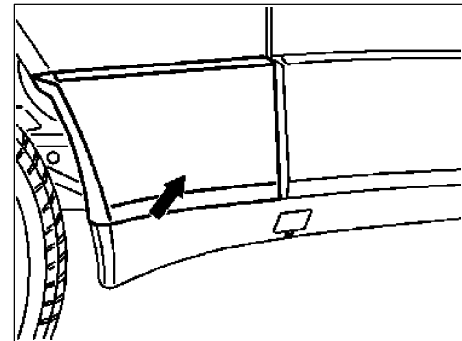
P40.10-0237-01

B. Assembly of side paneling

The side paneling (arrow) at the front fenders must be replaced on vehicles as of 09/89 with paneling from model 124.034 (color number given).

Note

Side paneling which is not available in the desired color must be painted the same color as the vehicle.



P40.10-0238-01

C. Notes on chassis setting

Set vehicle-specific caster at front axle to positive tolerance.

D. Tire inflation pressure/ tire makes/ snow chain operation

- a) The tire inflation pressure in accordance with the sticker on the fuel filler door still applies.
- b) The recommended tire makes can be found in the respective service information.
- c) Snow chains can only be used with standard tires.

E. Registration regulations

In the Federal Republic of Germany, retrofit conversions must be approved and entered in the vehicle registration documents by the Technical Inspection Association. Furthermore, this information and confirmation from Mercedes-Benz (available from H. Breitbarth VP/SGS, Fax No. 40101) must be presented at the registration office.

The country-specific legislation must be observed in other countries.