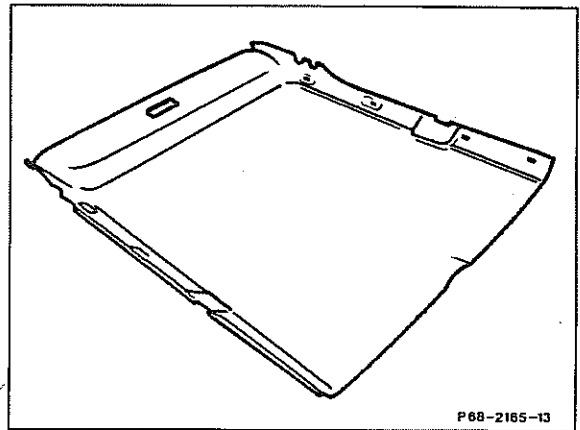


C. Sedan (prefabricated headliner)

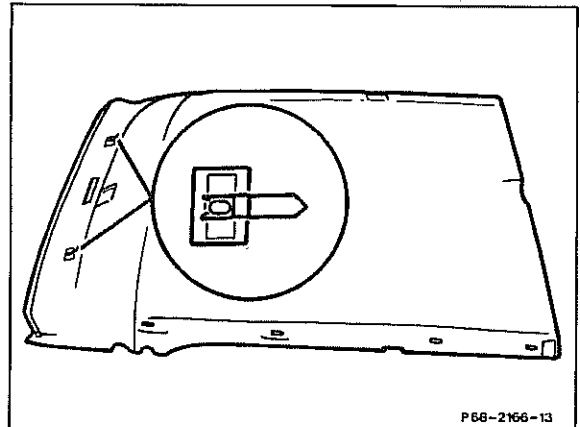
Note

As of vehicle ident. end no. B 171734 (January 1990) a prefabricated headliner was installed instead of the stretch headliner. On vehicles with sliding roof the prefabricated headliner was installed as of vehicle ident. end no. B 437327 (January 1993). The prefabricated headliner is available in three colors and can be removed and installed through the passenger door.

- 1 Remove door edge protector at front and rear.
- 2 Remove window moulding at side of windshield (68-405).
- 3 Remove trim at front of roof frame (68-400). Remove trim toward front.
- 4 Remove trim on center pillar on left and right (68-470).
- 5 Remove trim on rear pillar left and right (68-449).



- 6 Screw off grab handles on inside and remove rear illumination.
- 7 Move front seats all the way back and put backrests on driver's seat down against stop. Move gearshift lever or selector lever to front position.
- 8 Unhook prefabricated headliner at rear of roof frame by pulling prefabricated headliner toward rear (two retaining lugs).



- 9 Remove prefabricated headliner through passenger door opening.
- 10 Reinstall in opposite order.

